

Spectus

Uniclass	EPIC
L413 : P7114	D13 : X725
CI/SfB	
(31.4)	Xn6

March 2002



Spectus
WINDOW SYSTEMS

Snape Road, Macclesfield, Cheshire SK10 2NZ Tel: 01625 420400 Fax: 01625 433946
mail@spectusystems.com www.spectusystems.com



BS EN 9002

992230

**AUTHENTIC, TRADITIONAL APPEARANCE
WITH ALL THE BENEFITS OF PVC-U**

Spectus
WINDOW SYSTEMS



Spectus

TRADITIONAL WINDOWS WITHOUT COMPROMISE

Designed by Spectus Systems to provide all the benefits that can be derived from high performance, modern materials, the new Spectus vertical slider provides a long term, cost effective solution for period style properties. Advanced technology works in harmony with traditional design, to provide extra comfort and practical features for modern living, without any compromise to character or appearance.

The PVC-u window frames are designed to provide optimum strength, superior thermal properties and excellent weathering performance and will retain their pristine appearance year after year with the minimum of maintenance. Created by an experienced team, the Spectus VS has built in design features which make it suitable for commercial or domestic buildings, in both replacement and new build markets.



TRADITIONAL STYLE WITH BENEFITS

Much thought has gone into the new Spectus VS to ensure that the attractive style of a vertical slider is retained, whilst providing all the benefits that modern technology can provide.

For ease and cost effective fabrication, each sash option is post co-extruded. Thermal properties are enhanced through the use of 24mm glazing as standard. Excellent weathering performance is increased with a Pile seal detail on the sash edges and outer frame and air flow specification can be achieved through the use of trickle or glazed in vents to suit particular applications as required.



TRADITIONAL APPEARANCE WITH DURABILITY

Profiles are manufactured to the highest standards, from a formulation which includes a high impact modifier to withstand cold weather and a UV light resistant pigment to maintain colour and appearance for years to come. It is this formulation which prevents the PVC profile from degrading, bending, or warping.

Structural strength is enhanced through the use of steel or aluminium reinforcement through the internal chambers of the profile and to further increase stability and strength all fixings and hardware are secured to the reinforcement. The Spectus VS also has an aluminium interlock for the top sash which increases the rigidity of larger windows.

Years of engineering experience mean that you can have total confidence in the durability and longevity of the window frames, without having to cover the cost of high maintenance or spoiling the appearance of the property.



TRADITIONAL CRAFTSMANSHIP USING MODERN TECHNOLOGY

A wide variety of decorative options and colour choices are available, designed to the finest detail for a perfect finish. Tilting sashes are a major feature, allowing ease of cleaning. Tilt restrictors ensure the tilt mechanism works smoothly and safely.

The new Spectus VS provides a blend of advanced technology with the craftsmanship of old. It is a simple solution in long term, cost effective, window maintenance, with all the benefits and comfort of modern living, whilst retaining the charm and appearance of a past era.





CHARACTER WITH ASSURANCE

You can rest assured that your Spectus VS window comes with the highest quality assurance. All materials are manufactured under the strictest quality controls, and the Spectus network of fabricators and installers provides continuity as well as quality. Safety and security are of prime importance and every detail has been considered to ensure that all hardware and locking options exceed requirements.

CHARACTER WITH CHOICE

An attractive ovolo shaped bead comes together with a choice of 3 sash options to allow a variation of application styles, including an equal sightline option for the top and bottom sashes, plus a deep bottom rail for a truly traditional appearance. In addition, you can choose a Georgian bar option or add a decorative horn. And for those who prefer a true timber appearance, the Spectus VS is available in a deep rich mahogany or

light oak finish. You can even choose a timber appearance on the external face, with a white finish on the internal to maintain a light airy appearance to the inside of the room.

Spectus has considered the finish, even to the smallest detail. White or brass hardware options are available as well as end caps for both the cill and sash stop to create the perfect finish.



CHARACTER WITH EASE

Choosing a pvc window will mean the end of costly, time consuming painting every two to three years. A damp, soft cloth is all it takes to clean a pvc frame. But the Spectus VS makes it even easier, with the use of a pivot bar. This allows the window to tilt, so that the exterior glass can actually be cleaned from the inside. Maintenance simply couldn't be easier.

CHARACTER WITH COMFORT

Choosing the Spectus VS will give you all the benefits of a modern window with all the charm and character of a traditional vertical sliding window. Excellent thermal properties and weathering performance will conserve heat and save on heating costs. Combine these benefits with the charm and character of a traditional vertical slider and you have the best of both worlds.





Spectus



General

A Vertical Slider with a traditional appearance, with sash options and flush putty lines. The front to back dimension of the sash is 52mm. The outer frame is 128mm.

Glazing

Internally glazed with 24mm glazing. Specific glazing configurations may need to be used to meet the requirements of Building Regulations. For example, to meet the requirements of Approved Document L of the Building Regulations for England and Wales, the glazing unit should typically have an air gap of 16mm or more, and one pane should have an emissivity of $\epsilon_n 0.15$ or less.

Size Limitations

Maximum recommended size for standard configuration are upto 1600mm wide and upto 3000mm high. For Heavy duty configuration upto 1700mm wide and upto 3000mm high, using sash VS04 with aluminium interlock.

Reinforcements

In all cases, reinforcement should be to the Spectus Know-How Manuals, available from Spectus.



Hardware and Fittings

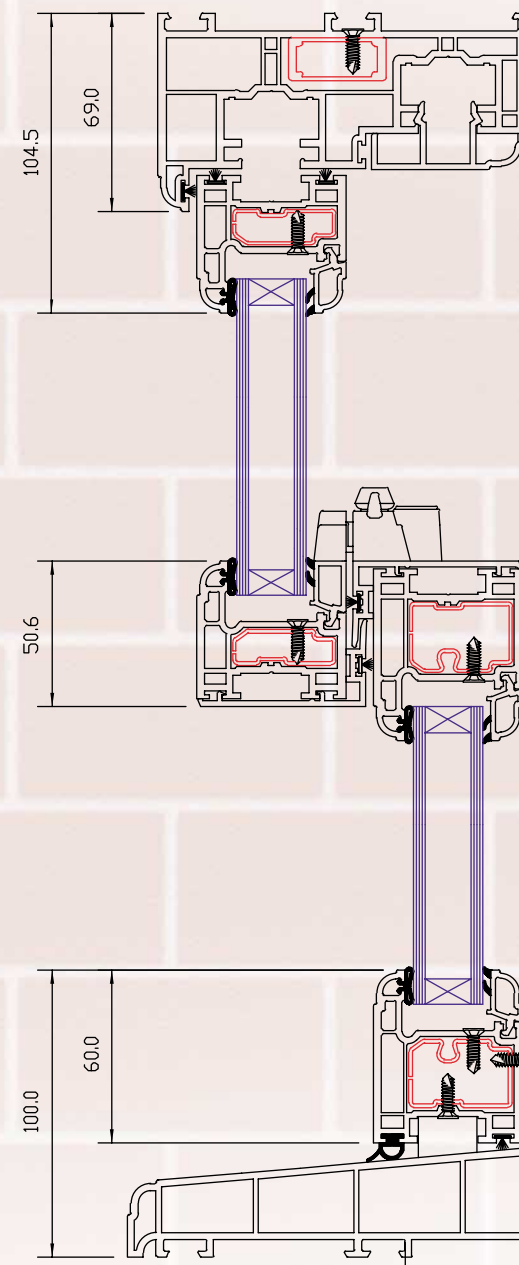
The Spectus Vertical Slider requires a variety of hardware, including balances, pivot bars and locking mechanisms. All of which should be fitted in accordance with the Spectus Know-How Manuals, available from Spectus.

Finishes

Available in white, mahogany, light oak, mahogany on white and light oak on white.



STANDARD CONFIGURATION



HEAVY DUTY CONFIGURATION

